



# Safety Instructions



0, 1, 4, 6, 7, 8, 11, 15,  
16, 17, 19, 22, 25



Info Hotline

+49 (0) 5041 998 389

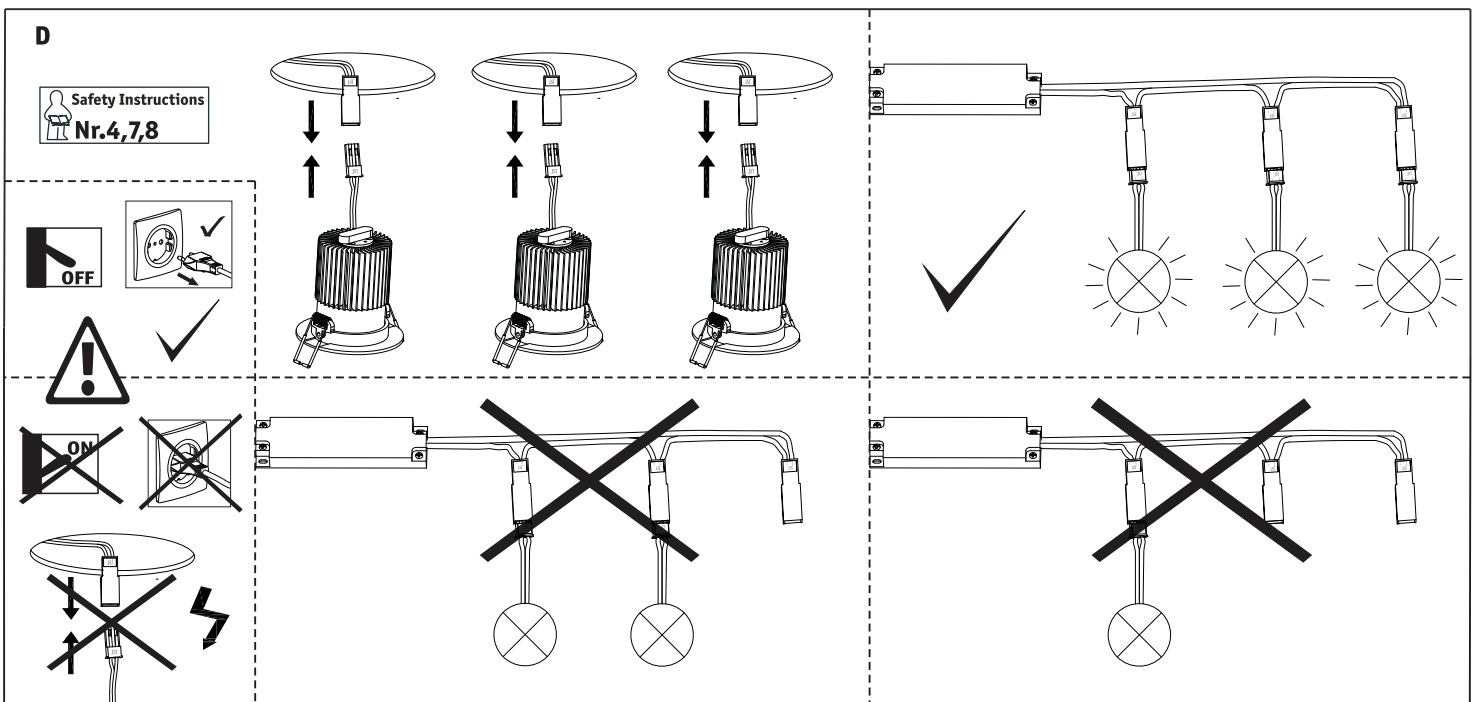
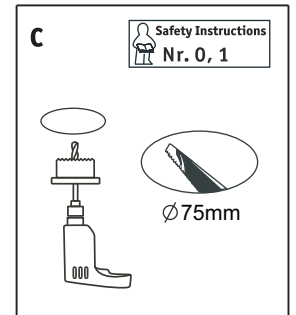
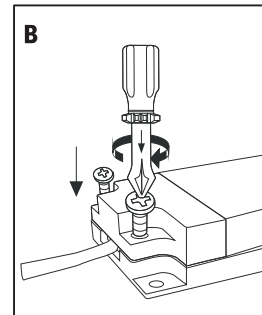
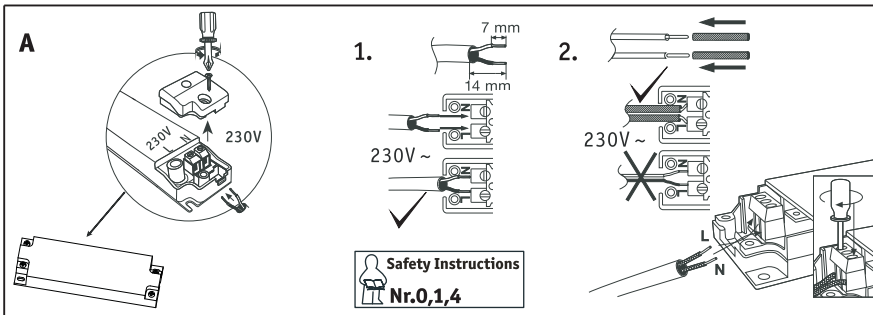
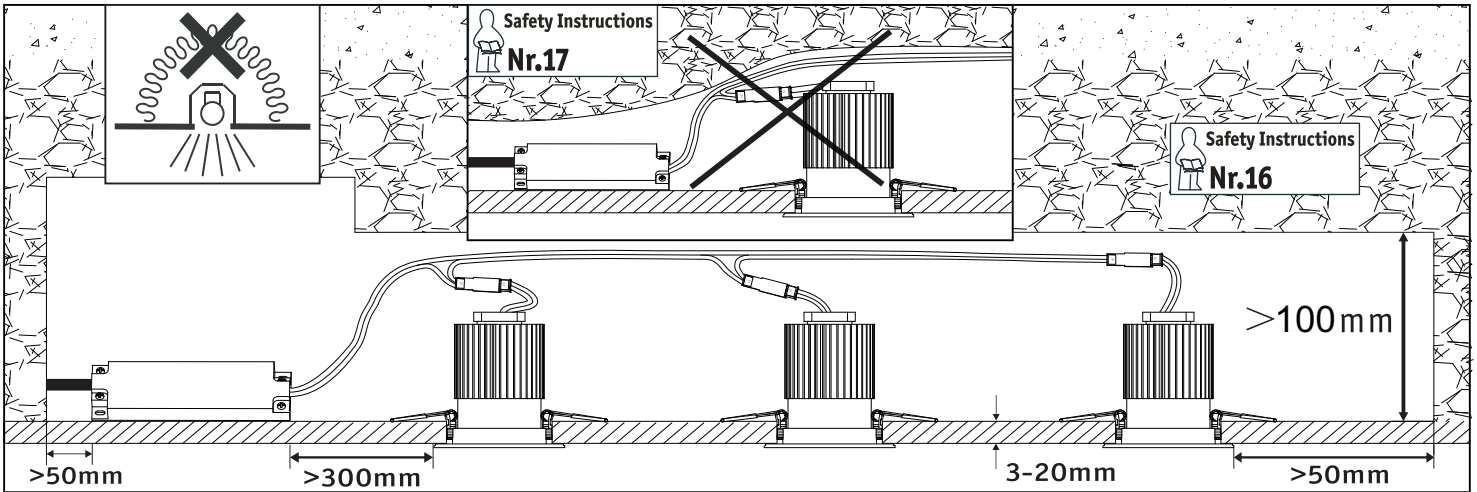
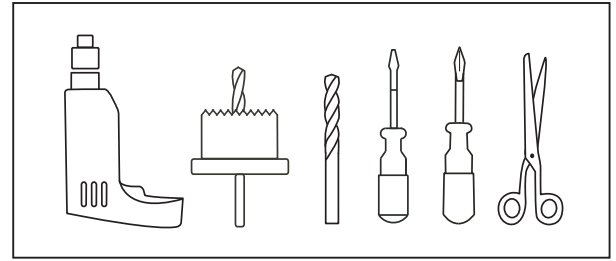
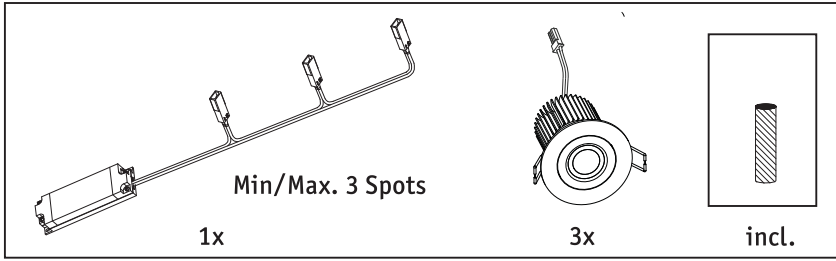
Mon. - Do. 7<sup>00</sup> - 20<sup>00</sup>

Fr. 7<sup>00</sup> - 17<sup>00</sup>

Paulmann Licht GmbH  
31832 Springe / Germany  
www.paulmann.com

Art.-Nr.:  
926.85

(+MA 173)  
PEV 05/13



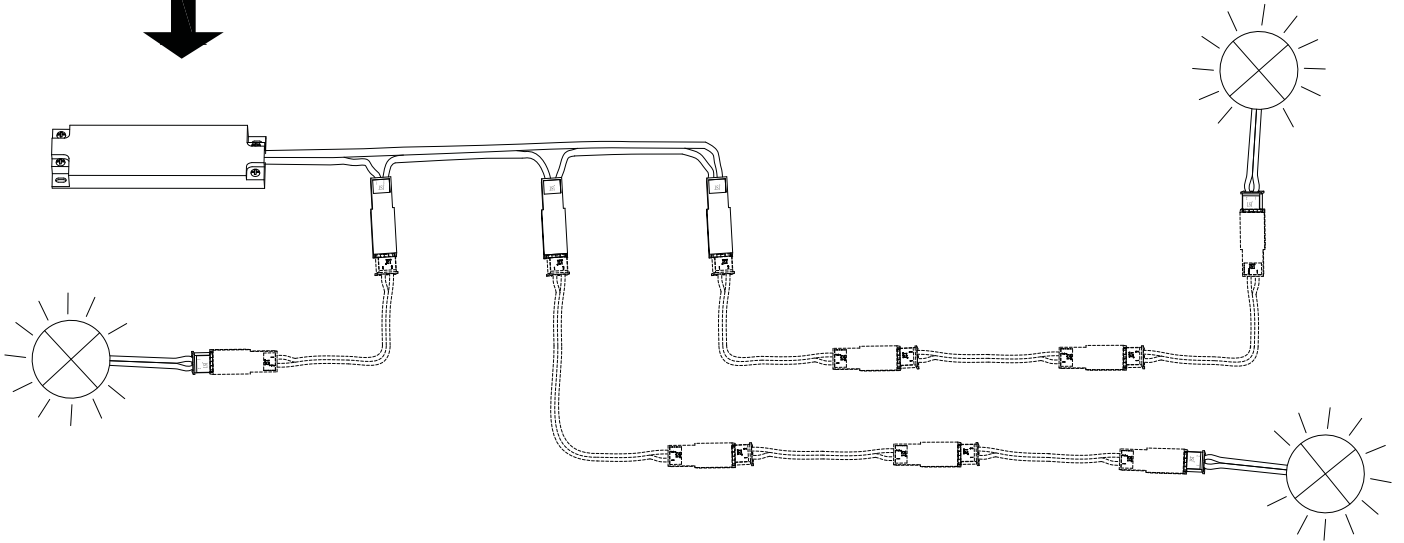
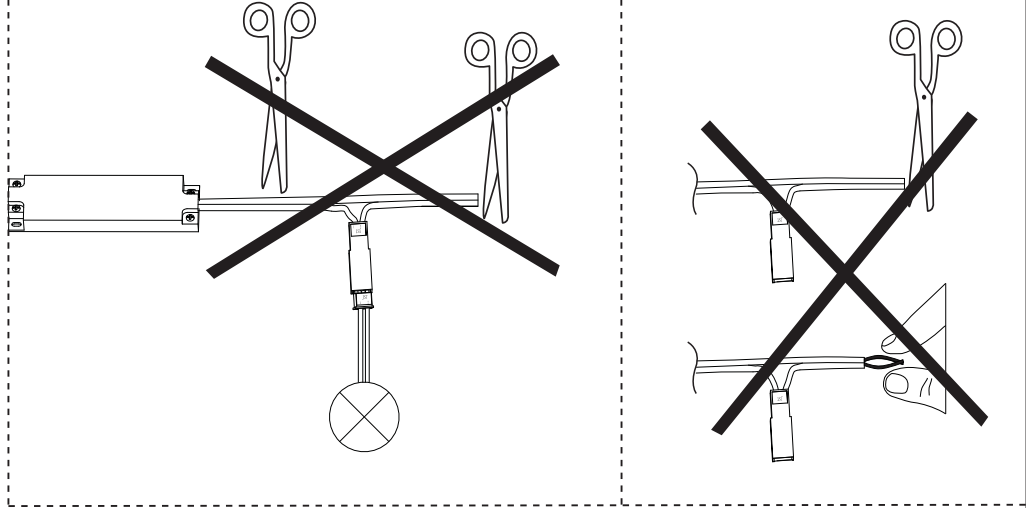
**E**



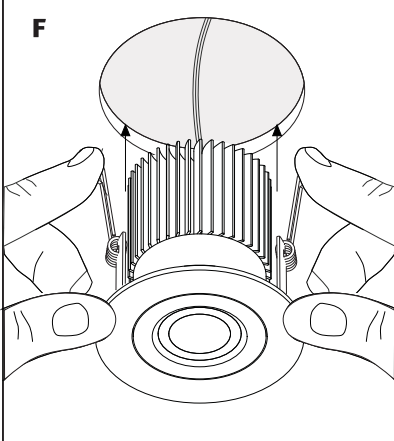
1 m



Paulmann  
Art.-Nr. 233



**F**



**G**

